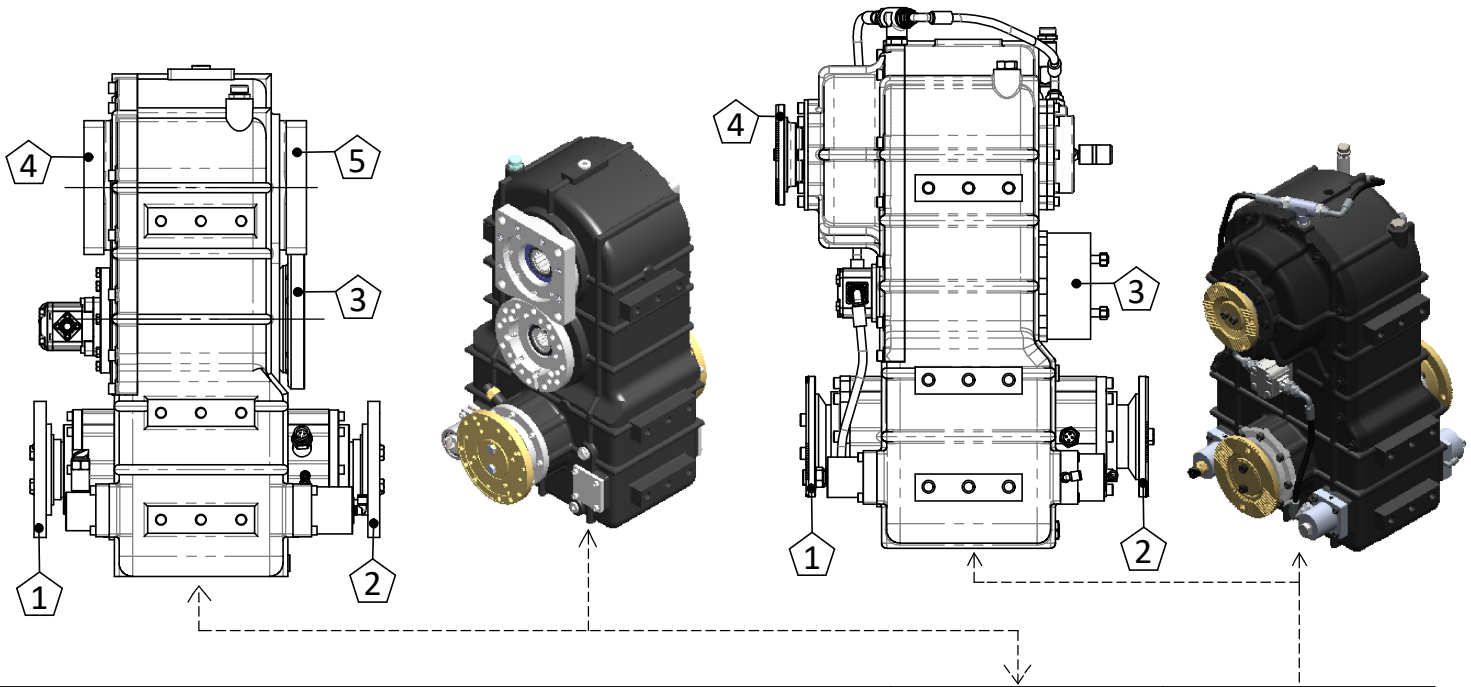


- * 3-Stage Vertical Transfer Case
- * Built-in lubrication pump and circuit
- * Pneumatic Shifter
- * 3 Output Feature



Structural Information	UARA.3008	UARA.3005
Axis Count	3 Stage	3 Stage
Distance between top and bottom shafts	422 mm	422 mm
Max Power - Top output shafts (4) & (5)	350 Kw	200 Kw
Max Torque (Intermittent)- Input Shaft (1) & (2)	37,280 Nm	37,280 Nm
Max Torque (Continues)- Input Shaft (1) & (2)	29,995 Nm	29,995 Nm
Speed Ratio - Input shaft (1) & (2)	1:1	1:1
Speed Ratio - Top output shaft (4) & (5)	1/1 - 1/1.1 - 1/1.3 1/1.5 - 1/1.6 - 1/1.7	1/1.1 - 1/1.5
Weight - Approx.	275 Kg	315 Kg
Max Speed - Top output shaft (4) & (5)	3500 Rpm	3500 Rpm
Clutch shift - Top output shaft (4) & (5)	-----	-----
Connection options - Top&Centre output (3) & (4) & (5)	SAE B-C-D - ISO pump & Flange	Flange